

**SolidWorks Student Edition.
For Academic Use Only**

| | | | | | | |
|-------------|----------|--|------------|------|---|--|
| Speaker Box | Complete | UNLESS OTHERWISE SPECIFIED: DIMENSIONS ARE IN Inches TOLERANCES: 1/8 in. | NAME | DATE | TITLE: Speaker Box bottom | |
| | | | DRAWN | | | |
| | | | CHECKED | | | |
| | | | ENG APPR. | | | |
| | | INTERPRET GEOMETRIC TOLERANCING PER: | Q.A. | | | |
| | | MATERIAL: Wood | COMMENTS: | | | |
| | | FINISH: Sanded | | | SIZE DWG. NO. REV | |
| BY ASSY | USED ON | | | | A 1009 | |
| APPLICATION | | DO NOT SCALE DRAWING | SCALE: 1:2 | | SHEET 1 OF 1 | |

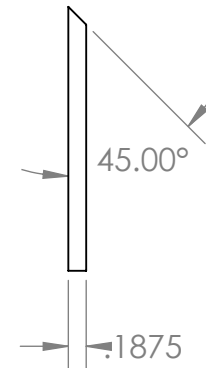
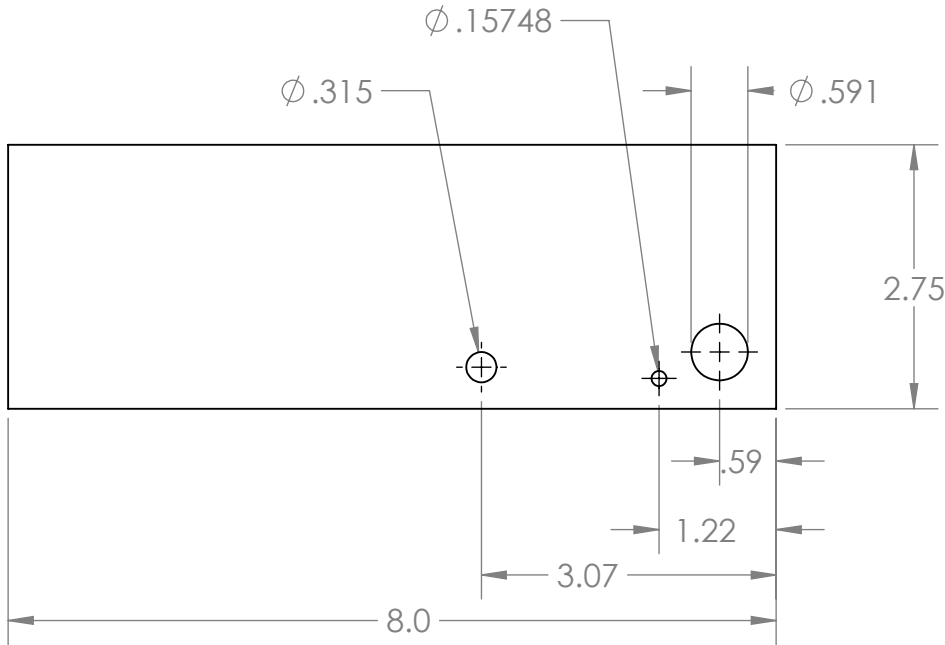
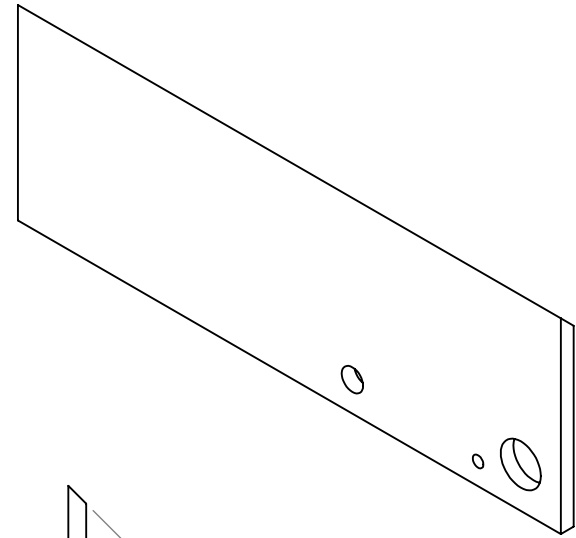
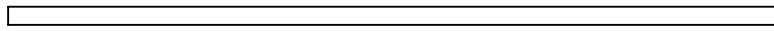
5

4

3

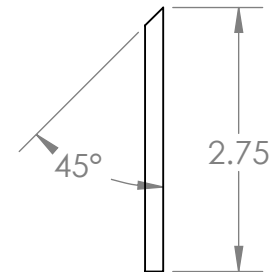
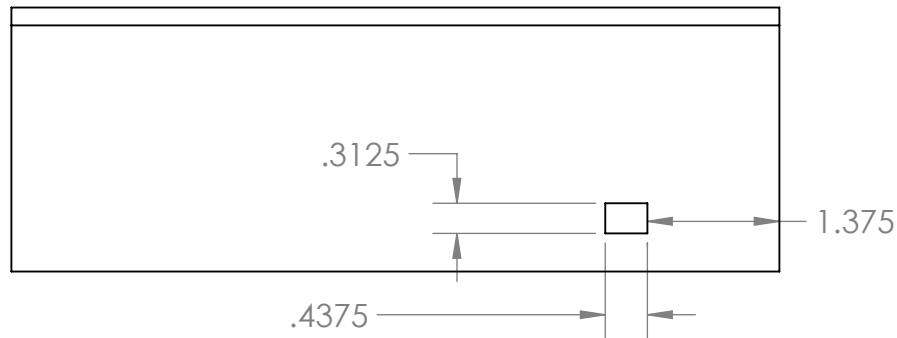
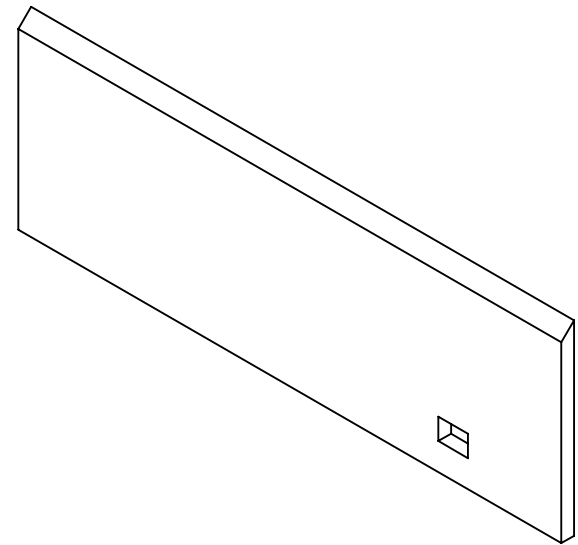
2

1



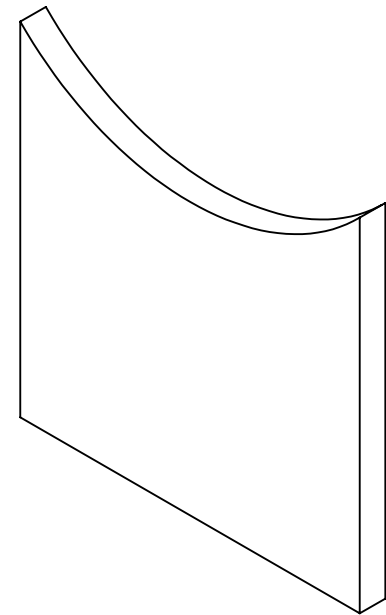
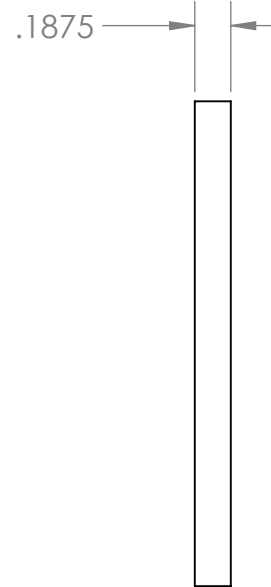
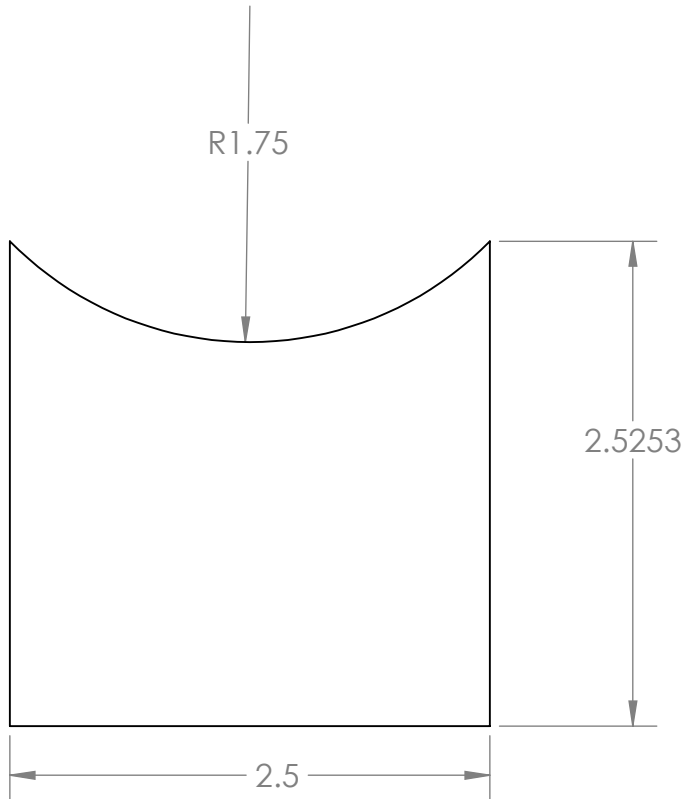
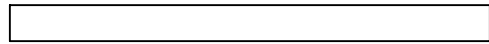
**SolidWorks Student Edition.
For Academic Use Only**

| | | | | | |
|-------------|----------|---|-----------|------|---|
| Speaker Box | Complete | UNLESS OTHERWISE SPECIFIED: DIMENSIONS ARE IN Inches TOLERANCES: 1/8 in | NAME | DATE | TITLE: Speaker Box Front |
| | | | DRAWN | | |
| | | | CHECKED | | |
| | | | ENG APPR. | | |
| | | INTERPRET GEOMETRIC TOLERANCING PER: | Q.A. | | SIZE DWG. NO. REV A 1005 |
| | | MATERIAL: Wood | COMMENTS: | | |
| | | FINISH: Sanded | | | SCALE: 1:2 |
| BY ASSY | USED ON | DO NOT SCALE DRAWING | | | SHEET 1 OF 1 |
| APPLICATION | | | | | |



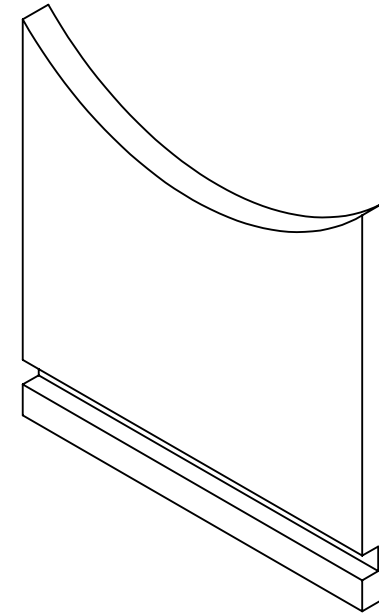
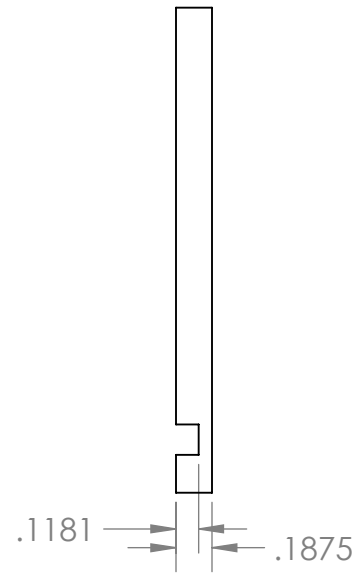
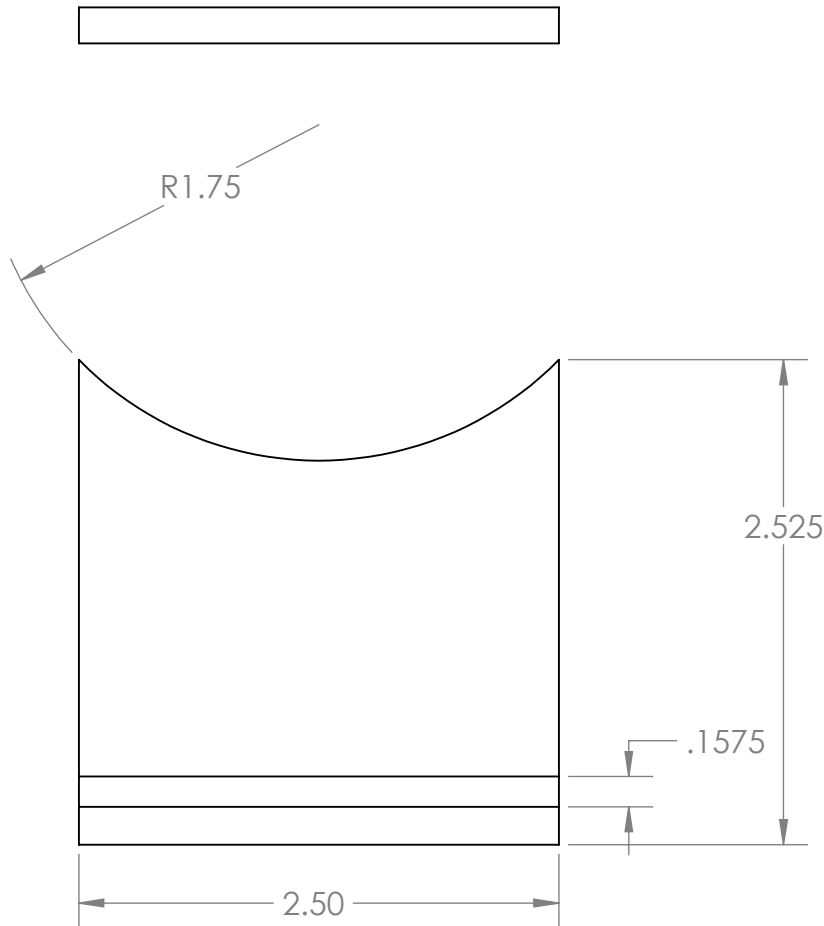
**SolidWorks Student Edition.
For Academic Use Only**

| | | | | | | | | |
|-------------|----------|---|-----------|------|------|---------------------------------------|-------------|--------------|
| Speaker Box | Complete | UNLESS OTHERWISE SPECIFIED: DIMENSIONS ARE IN Inches TOLERANCES: 1/8 in | | NAME | DATE | TITLE: Speaker Box back | | |
| | | | DRAWN | | | | | |
| | | | CHECKED | | | | | |
| | | | ENG APPR. | | | | | |
| | | INTERPRET GEOMETRIC TOLERANCING PER: | Q.A. | | | SIZE | DWG. NO. | REV |
| | | MATERIAL: Wood | COMMENTS: | | | A | 1008 | |
| | | FINISH: Sanded | | | | SCALE: 1:2 | | SHEET 1 OF 1 |
| BY ASSY | USED ON | | | | | | | |
| APPLICATION | | DO NOT SCALE DRAWING | | | | | | |



**SolidWorks Student Edition.
For Academic Use Only**

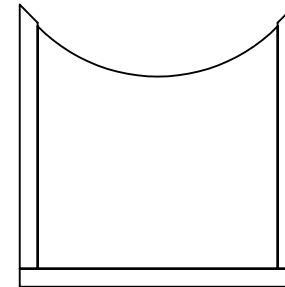
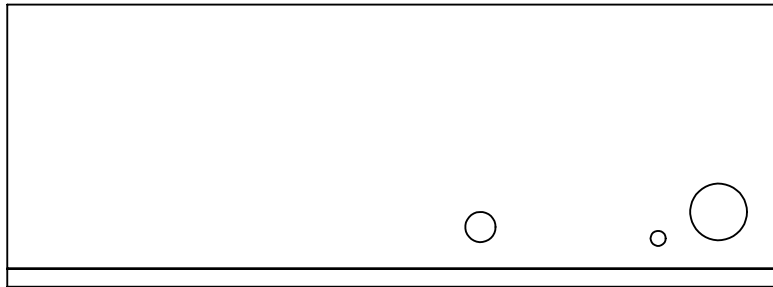
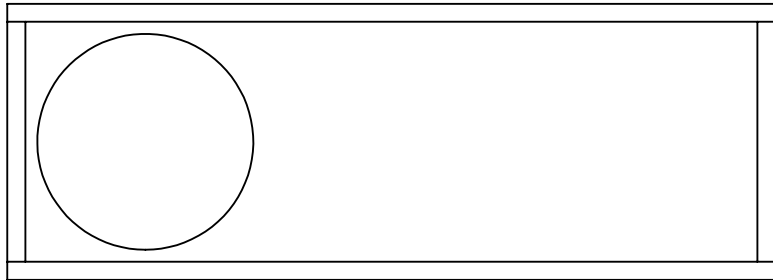
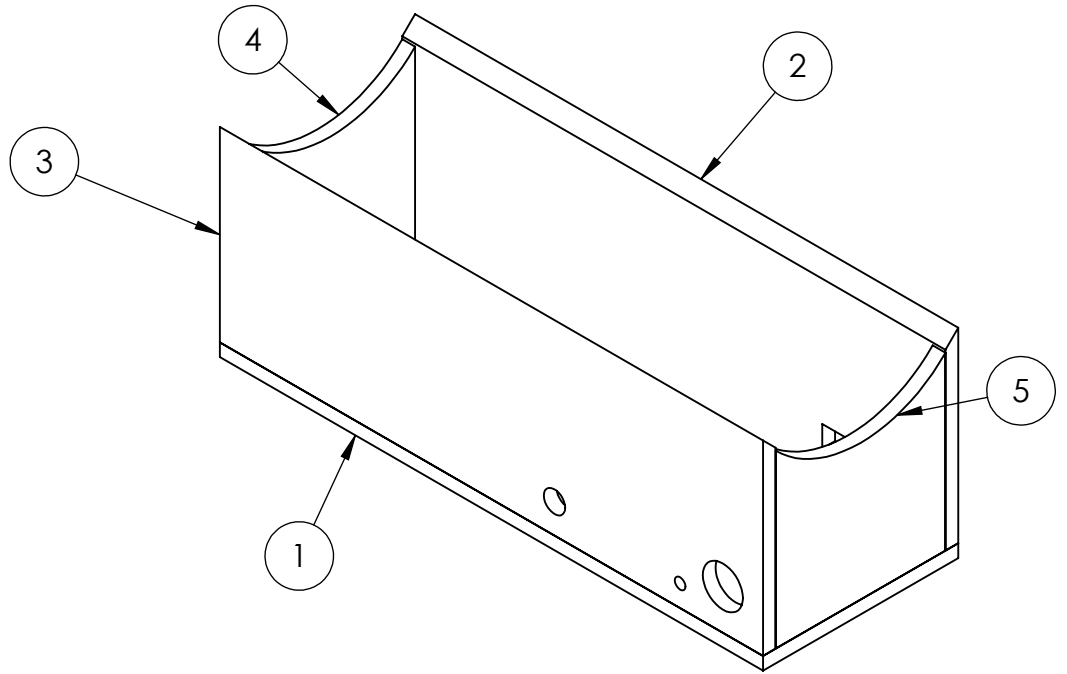
| | | | | | | | |
|-------------|----------|--|------------|-----------|------|---------------------------------------|--|
| Speaker Box | Complete | UNLESS OTHERWISE SPECIFIED: DIMENSIONS ARE IN Inches TOLERANCES: 1/8 in. | | NAME | DATE | TITLE: Speaker Box left | |
| | | | | DRAWN | | | |
| | | | | CHECKED | | | |
| | | | | ENG APPR. | | | |
| | | INTERPRET GEOMETRIC TOLERANCING PER: | | | | | |
| | | MATERIAL: Wood | | | | | |
| | | FINISH: Sanded | | | | | |
| BY ASSY | USED ON | | COMMENTS: | | | SIZE DWG. NO. REV | |
| | | | | | | A 1007 | |
| APPLICATION | | DO NOT SCALE DRAWING | SCALE: 1:1 | | | SHEET 1 OF 1 | |



**SolidWorks Student Edition.
For Academic Use Only**

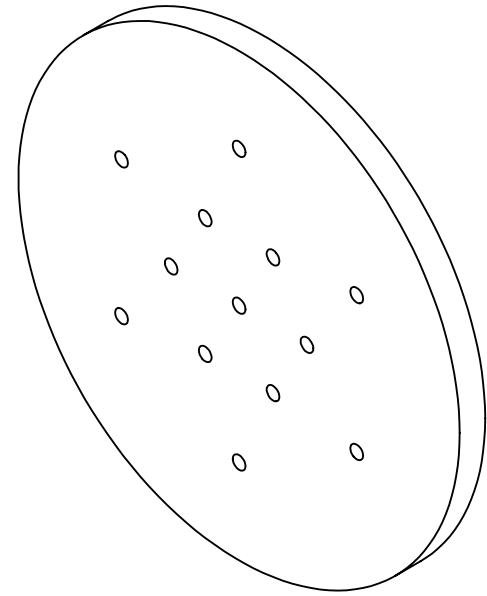
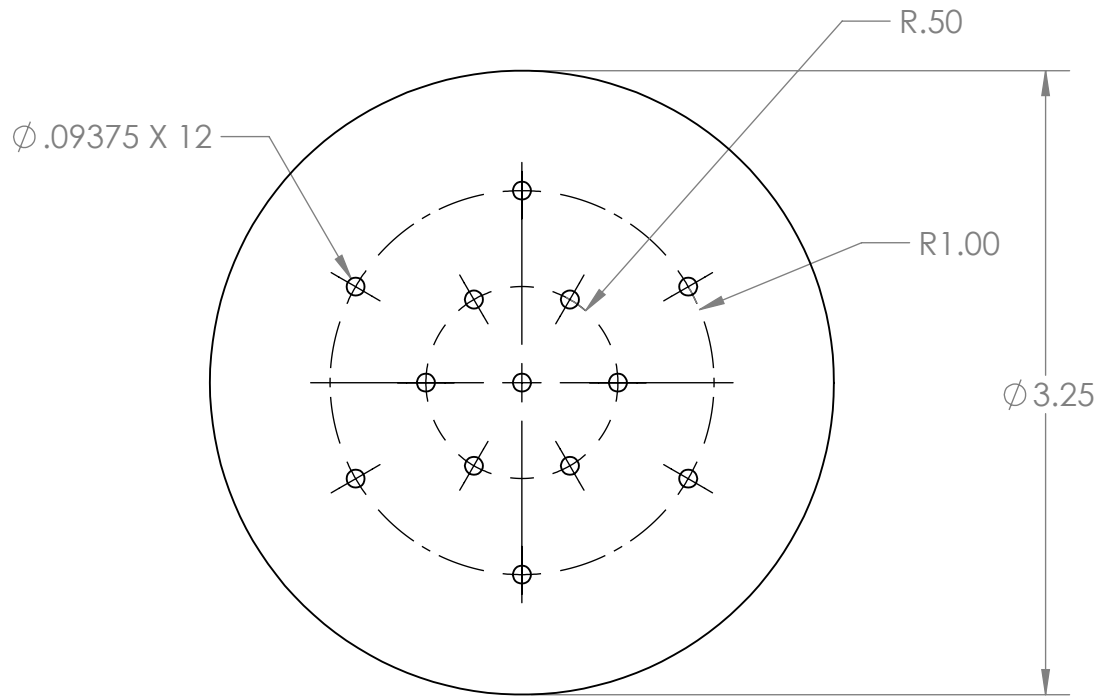
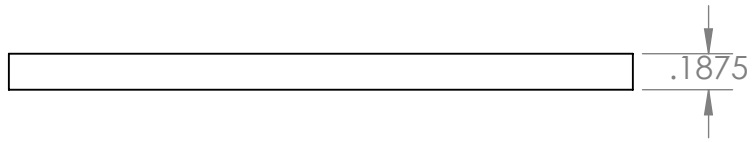
| | | | | | | | |
|-------------|----------|---|-----------|-----------|------|---|--|
| Speaker Box | Complete | UNLESS OTHERWISE SPECIFIED: DIMENSIONS ARE IN Inches TOLERANCES: 1/8 in | | NAME | DATE | TITLE: Speaker Box right | |
| | | | | DRAWN | | | |
| | | | | CHECKED | | | |
| | | | | ENG APPR. | | | |
| | | INTERPRET GEOMETRIC TOLERANCING PER: | | | | SIZE DWG. NO. REV A 1006 | |
| | | MATERIAL: Wood | | | | | |
| | | FINISH: Sanded | | | | SCALE: 1:1 SHEET 1 OF 1 | |
| | | | | | | | |
| BY ASSY | USED ON | | COMMENTS: | | | | |
| APPLICATION | | DO NOT SCALE DRAWING | | | | | |

| ITEM NO. | PART NUMBER | DESCRIPTION | QTY. |
|----------|-------------|--------------------|------|
| 1 | | Speaker Box bottom | 1 |
| 2 | | Speaker Box back | 1 |
| 3 | | Speaker Box Front | 1 |
| 4 | | Speaker Box left | 1 |
| 5 | | Speaker Box right | 1 |



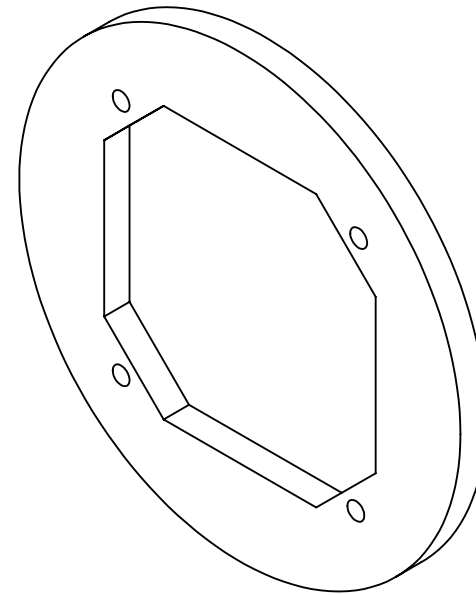
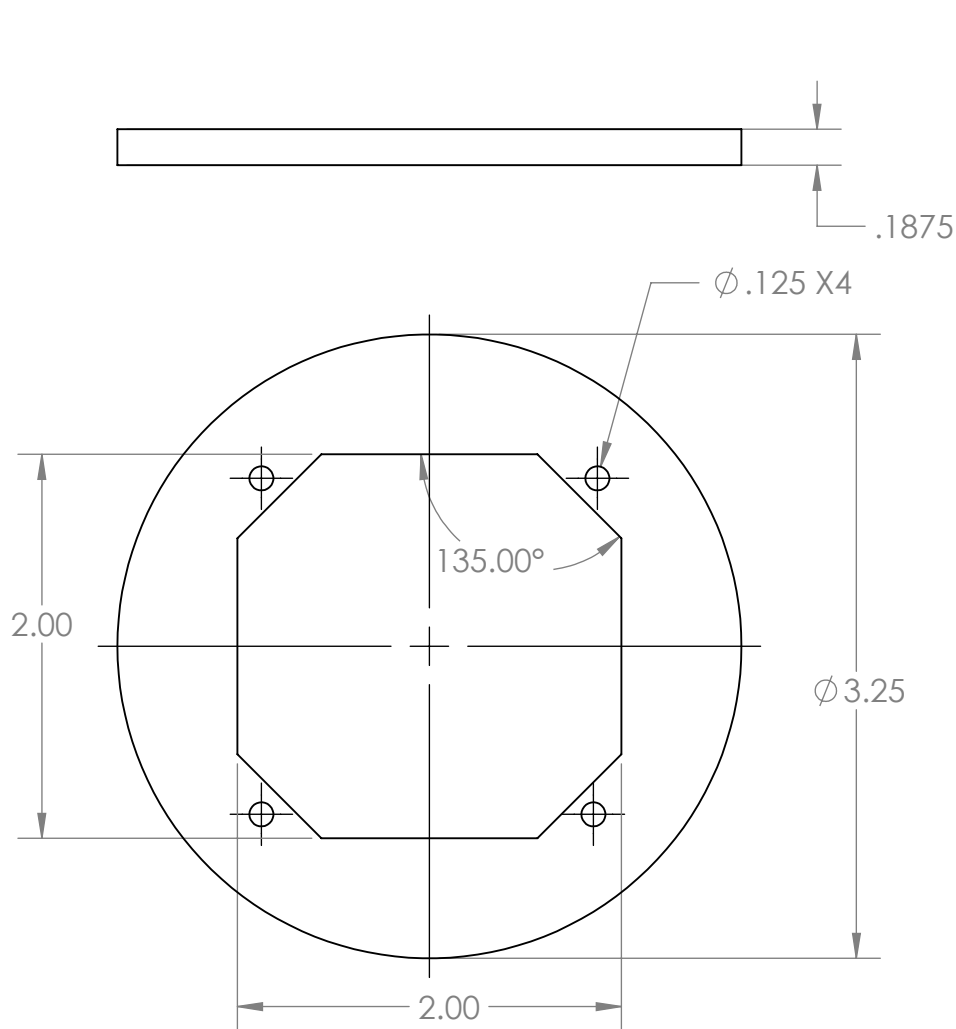
**SolidWorks Student Edition.
For Academic Use Only**

| | | | | | | | |
|-------------|----------|---|-----------|-----------|------|----------------------------------|---------------|
| Complete | Complete | UNLESS OTHERWISE SPECIFIED: DIMENSIONS ARE IN MM TOLERANCES: 1 mm | | NAME | DATE | TITLE: Speaker Box | |
| | | | | DRAWN | | | |
| | | | | CHECKED | | | |
| | | | | ENG APPR. | | | |
| | | INTERPRET GEOMETRIC TOLERANCING PER: | | | | SIZE DWG. NO. REV | |
| | | MATERIAL: Wood | | | | | A 1010 |
| | | FINISH: Sanded | | | | SCALE: 1:2 SHEET 1 OF 1 | |
| BY ASSY | USED ON | | COMMENTS: | | | | |
| APPLICATION | | DO NOT SCALE DRAWING | | | | | |



**SolidWorks Student Edition.
For Academic Use Only**

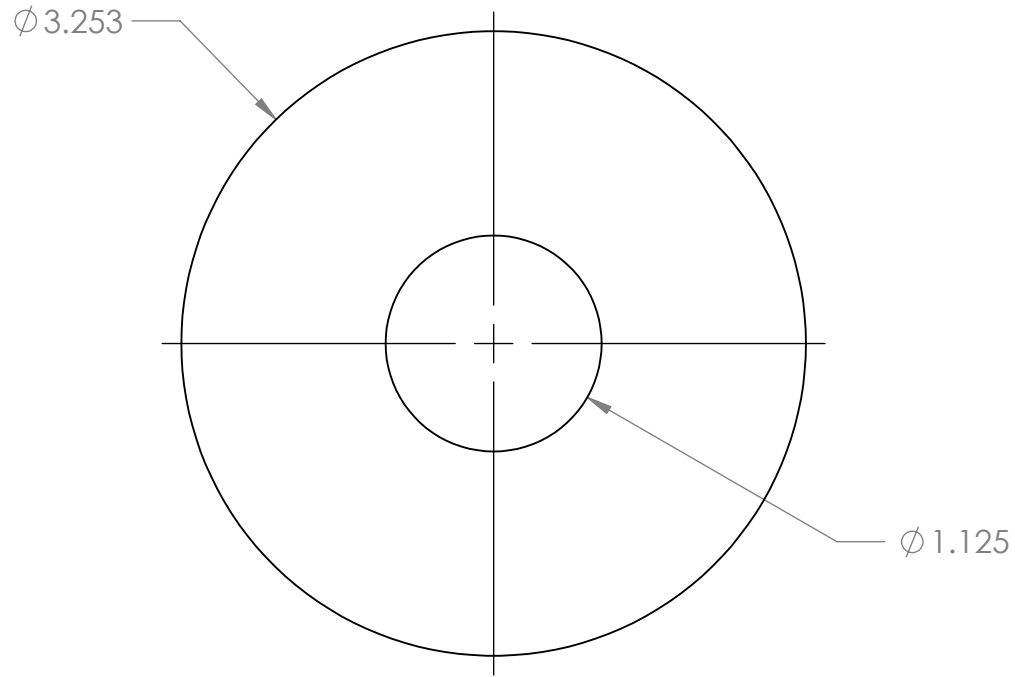
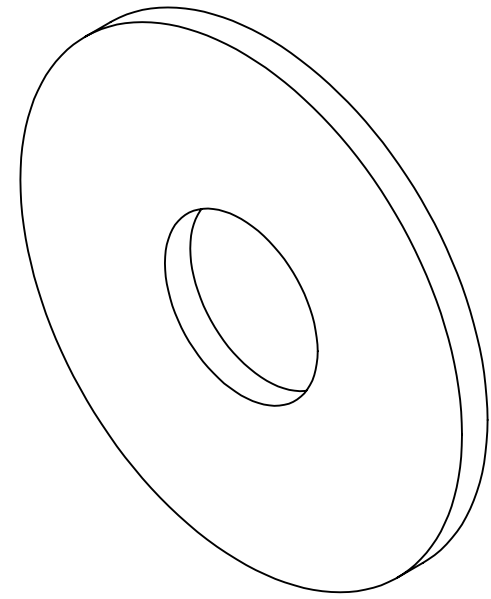
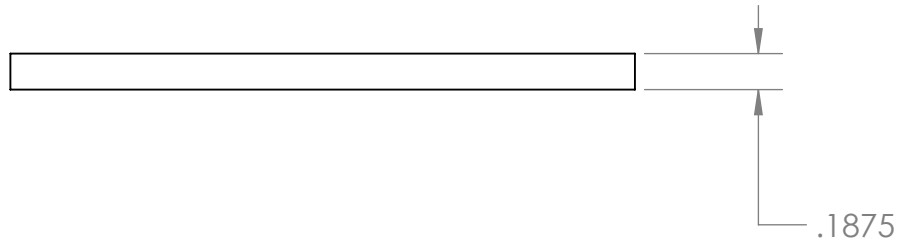
| | | | | | | |
|-------------|----------|--|---|-------|------|----------------------------------|
| Complete | Complete | UNLESS OTHERWISE SPECIFIED: DIMENSIONS ARE IN Inches TOLERANCES: 1/16 inches | | NAME | DATE | TITLE: Speaker Cap |
| | | | INTERPRET GEOMETRIC TOLERANCING PER: | DRAWN | | |
| | | MATERIAL: Wood | CHECKED | | | |
| | | FINISH: Sanded | ENG APPR. | | | |
| BY ASSY | USED ON | | MFG APPR. | | | SIZE DWG. NO. REV |
| | | | Q.A. | | | A 1003 |
| | | | COMMENTS: | | | SCALE: 1:1 SHEET 1 OF 1 |
| APPLICATION | | DO NOT SCALE DRAWING | | | | |



The cut-out in the middle should be centered.

**SolidWorks Student Edition.
For Academic Use Only**

| | | | | | | |
|-------------|----------|---|-----------|------|---|--|
| Complete | Complete | UNLESS OTHERWISE SPECIFIED: DIMENSIONS ARE IN Inches TOLERANCES: 1/16 | NAME | DATE | TITLE: Speaker housing | |
| | | | DRAWN | | | |
| | | | CHECKED | | | |
| | | INTERPRET GEOMETRIC TOLERANCING PER: MATERIAL: Wood | ENG APPR. | | SIZE DWG. NO. REV A 1011 | |
| | | | MFG APPR. | | | |
| | | FINISH: Sanded | Q.A. | | SCALE: 1:1 SHEET 1 OF 1 | |
| BY ASSY | USED ON | DO NOT SCALE DRAWING | COMMENTS: | | | |
| APPLICATION | | | | | | |



**SolidWorks Student Edition.
For Academic Use Only**

| | | | | | | |
|-------------|----------|--|-----------|------|------|---|
| Complete | Complete | UNLESS OTHERWISE SPECIFIED: DIMENSIONS ARE IN Inches TOLERANCES: 1/16 inches | | NAME | DATE | TITLE: Gas Cap |
| | | | DRAWN | | | |
| | | | CHECKED | | | |
| | | | ENG APPR. | | | |
| | | INTERPRET GEOMETRIC TOLERANCING PER: | Q.A. | | | SIZE DWG. NO. REV A 1001 |
| | | MATERIAL: Wood | COMMENTS: | | | |
| | | FINISH: Sanded | | | | SCALE: 1:1 |
| BY ASSY | USED ON | DO NOT SCALE DRAWING | | | | SHEET 1 OF 1 |
| APPLICATION | | | | | | |

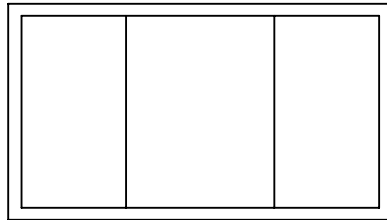
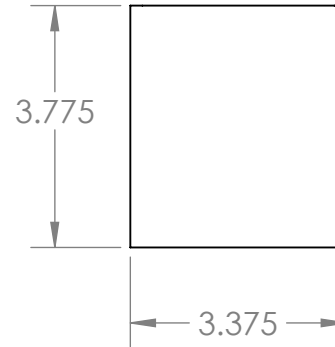
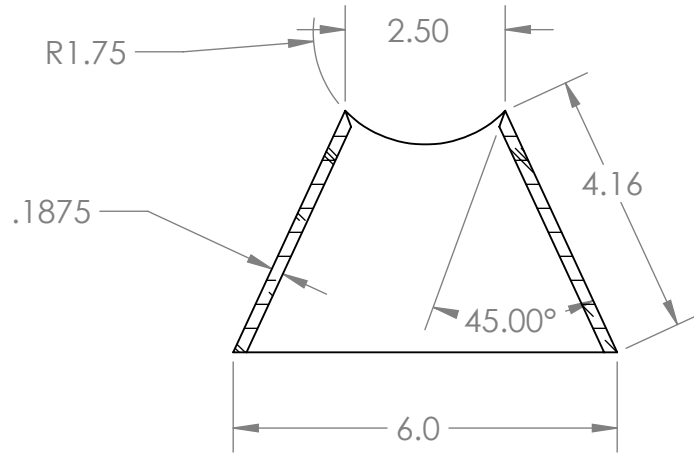
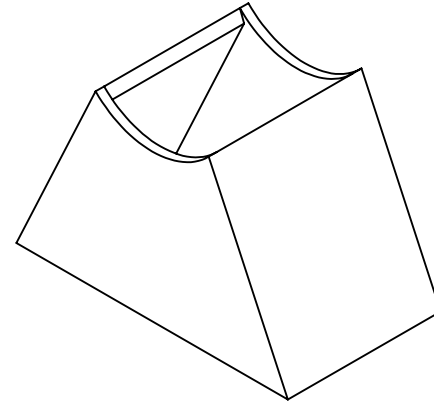
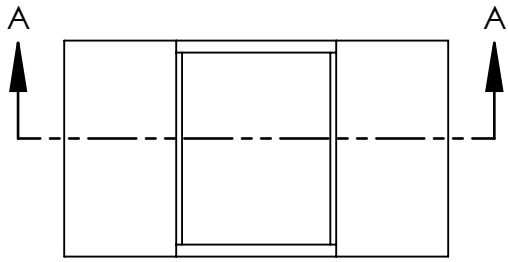
5

4

3

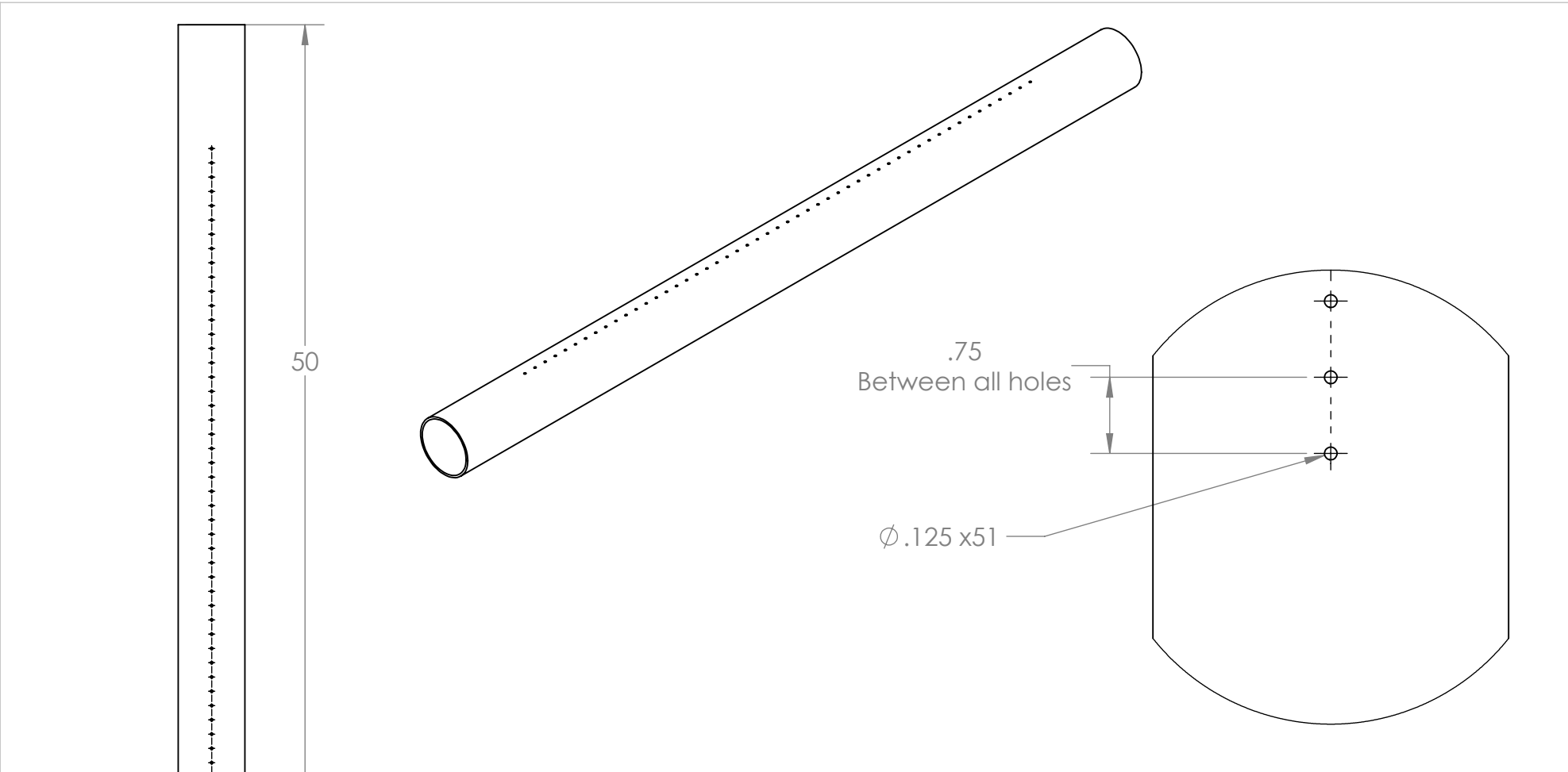
2

1

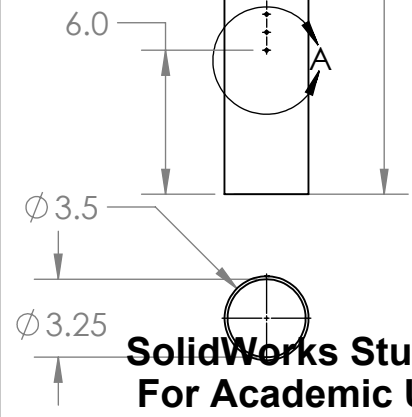


**SolidWorks Student Edition.
For Academic Use Only**

| | | | | | | | |
|-------------|----------|---|-----------|-----------|------|---|--|
| Complete | Complete | UNLESS OTHERWISE SPECIFIED: DIMENSIONS ARE IN Inches TOLERANCES: 1/8 inches | | NAME | DATE | TITLE: Small Stand | |
| | | | | DRAWN | | | |
| | | | | CHECKED | | | |
| | | | | ENG APPR. | | | |
| | | INTERPRET GEOMETRIC TOLERANCING PER: | | Q.A. | | SIZE DWG. NO. REV A 1002 | |
| | | MATERIAL: Wood | COMMENTS: | | | | |
| | | FINISH: Sanded | | | | SCALE: 1:2 | |
| BY ASSY | USED ON | DO NOT SCALE DRAWING | | | | SHEET 1 OF 1 | |
| APPLICATION | | | | | | | |



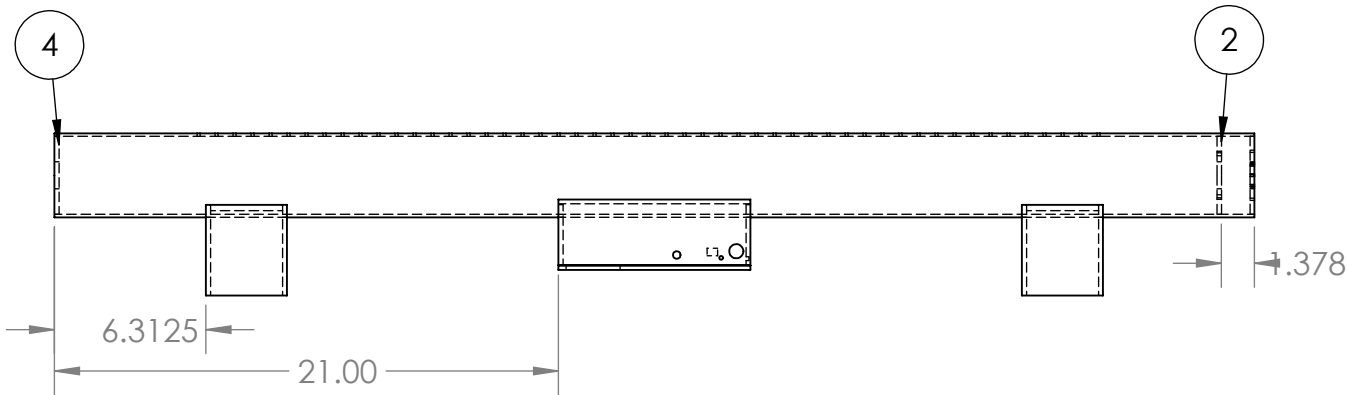
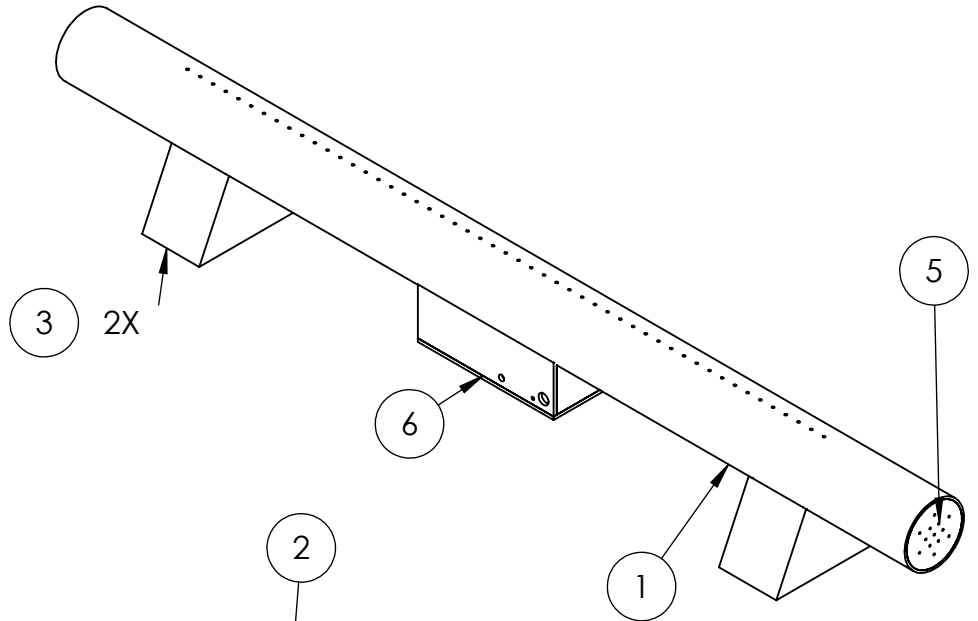
DETAIL A
SCALE 1 : 1.5



**SolidWorks Student Edition.
For Academic Use Only**

| | | | | | | | |
|-------------|----------|--|-----------|------|------|------------|--------------|
| Complete | Complete | UNLESS OTHERWISE SPECIFIED: | | NAME | DATE | | |
| | | DIMENSIONS ARE IN IN TOLERANCES: 1/8 in | DRAWN | | | TITLE: | |
| | | | CHECKED | | | Tube | |
| | | | ENG APPR. | | | | |
| | | | MFG APPR. | | | SIZE | DWG. NO. |
| | | INTERPRET GEOMETRIC TOLERANCING PER: | Q.A. | | | A | 1004 |
| | | MATERIAL: Aluminum | COMMENTS: | | | | REV |
| | | FINISH: None, polished preferred | | | | SCALE: 1:8 | SHEET 1 OF 1 |
| BY ASSY | USED ON | | | | | | |
| APPLICATION | | DO NOT SCALE DRAWING | | | | | |

| ITEM NO. | PART NUMBER | DESCRIPTION | QTY. |
|----------|-------------|-----------------|------|
| 1 | | Tube | 1 |
| 2 | | Speaker housing | 1 |
| 3 | | Small Stand | 2 |
| 4 | | Gas Cap | 1 |
| 5 | | Speaker Cap | 1 |
| 6 | | Speaker Box | 1 |



| UNLESS OTHERWISE SPECIFIED: | | NAME | DATE |
|--|--|--|--------------|
| DIMENSIONS ARE IN inches TOLERANCES: 1/8 inches | | DRAWN | |
| | | CHECKED | |
| | | ENG APPR. | |
| | | MFG APPR. | |
| INTERPRET GEOMETRIC TOLERANCING PER: | | Q.A. | |
| MATERIAL: Glue everything together | | COMMENTS: Gas cap goes on the side that has the holes starting 6 inches away from the end of the tube. | |
| FINISH: Glue is sanded down to be flush | | SIZE | DWG. NO. |
| APPLICATION | | A | 1012 |
| DO NOT SCALE DRAWING | | SCALE: 1:8 | SHEET 1 OF 1 |

TITLE: **Complete**

REV

**SolidWorks Student Edition.
For Academic Use Only**